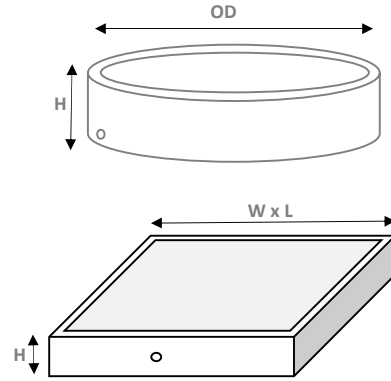




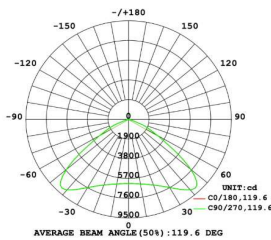
Dimension :  
Unit in mm



### PRODUCT SPECIFICATION

Model	Driver	Dimension (ØD x H)	Beam Angle	CCT	CRI	Power	Lumen	Casing Colour
SRDL5-4R-12W	LiFUD / Osram / Philips	Ø 120 x 35 mm	120°	3000K / 4000K / 6000K	80	10W	900	White
SRDL5-6R-15W		Ø 175 x 35 mm				15W	1350	
SRDL5-6R-20W		Ø 175 x 35 mm				20W	1800	
SRDL5-8R-30W		Ø 225 x 35 mm				30W	2700	
SRDL5-4S-12W		120 x 120 x 35 mm				10W	900	
SRDL5-6S-15W		175 x 175 x 35 mm				15W	1350	
SRDL5-6S-20W		175 x 175 x 35 mm				20W	1800	
SRDL5-8S-30W		225 x 225 x 35 mm				30W	2700	

### Photometric



### Features :

- \* High Power Factor > 0.9
- \* THD < 20
- \* Life Time >50000Hrs
- \* High Lumen Output
- \* Low Power Consumption
- \* Non Dimmable
- \* 1-10v Dimming
- \* Dali Dimming
- \* Safety Cert IEC/EN 61347
- \* Sirim approved

### Application:

- \* Office
- \* Shopping mall
- \* Commercial Building
- \* School
- \* Residentials

### Material :

- \* Die-Cast Aluminium
- \* Opal Diffuse Len